

EZ53

Tracked Zero Tail Excavators



**WACKER
NEUSON**
all it takes!



Zero tail swing offers excellent maneuverability

The EZ53 compact excavator combines the performance of a conventional track excavator with the excellent maneuverability of a zero tail swing machine. When revolved, the tail of the EZ53 does not project over the width of the tracks. Powered by an economical Tier 4 Final Perkins engine, this unit offers rubber tracks, dozer blade, boom mounted working light and control pattern change system. The excavator is offered in a canopy or full cab version each with a standard or longer dipperstick. Cab models feature standard air conditioning.

- Zero tail swing and compact dimensions are ideal for working in confined areas
- Large operator station is ergonomically designed for easy access and operator comfort improving productivity
- Unit equipped with pattern control selector for versatility and ease of use
- Tiltable operators platform allows for easy accessibility to all maintenance components
- Optional Vertical Digging System (VDS): It enables progressive tilting of the superstructure by up to 15° to compensate for slopes up to 27%

EZ53 Technical specifications

Operating data

Shipping weight min.	10,937 lb
Operating weight	11,539 - 14,178 lb
Biting force max.	6,295 lbf
Breakout force max.	8,565 lbf
Digging depth max.	147.7 in
Dumping height	144.8 - 155.2 in
Digging radius max.	245.4 in
Superstructure slewing speed	9.2 rev/min
L x W x H	216.5 x 78.3 x 101.3 in
Fuel tank capacity	21.9 US gal

Engine / Motor

Engine / Motor manufacturer	Perkins
Engine / Motor type	404F-22T
Engine / Motor	Water-cooled 4-cylinder diesel engine EPA III
Displacement	135.2 in ³
RPM / speed	3,000 rpm
Engine performance acc. to ISO	60.97 hp

Battery

Battery	88 CCA
---------	--------

Hydraulic system

Duty pump	Double variable- & two-gear pump
Max. flow rate	14.06 + 14.06 US gpm
Max. flow rate	10.54 + 2.26 US gpm
Operating pressure for working and traction hydraulics	3,336 psi
Operating pressure Slewing gear	2,756 psi
Hydraulic oil tank	19.3 US gal

Undercarriage

Travel speed max.	2.9 mph
Chain width	15.7 in
Ground clearance	12.7 in

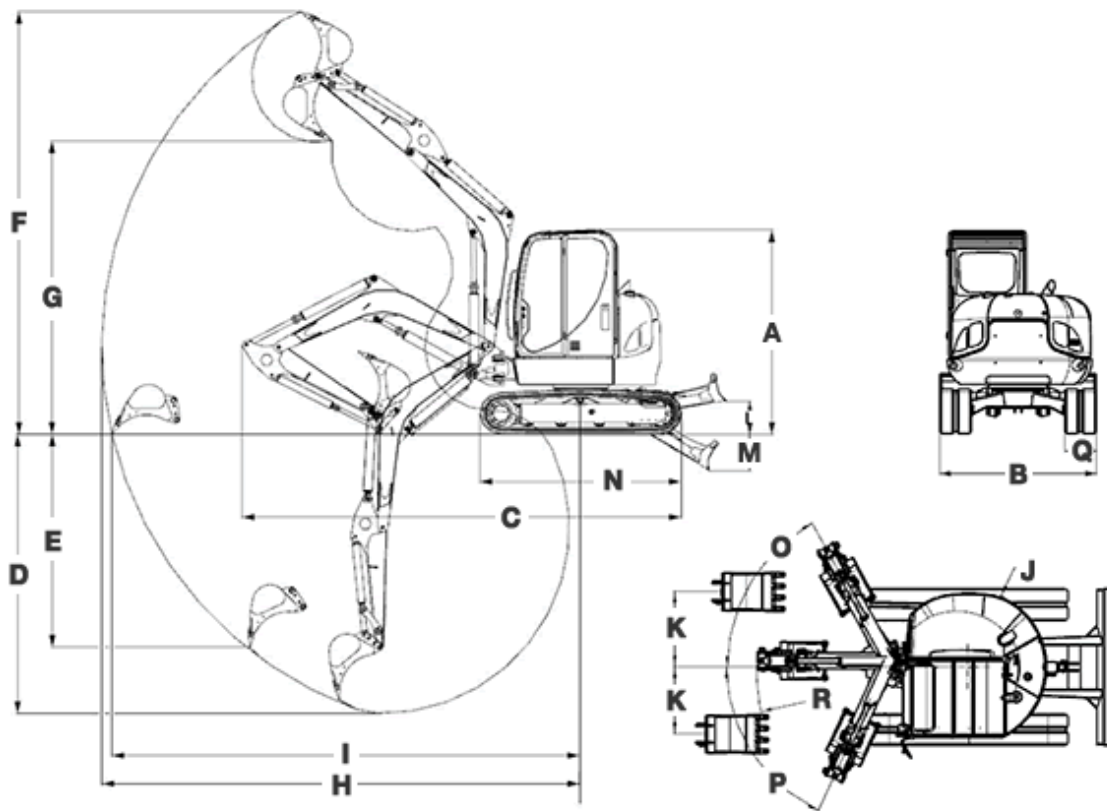
Dozer Blade

Width	78.3 in
Height	15 in
Stroke - Above ground	16.3 in
Stroke - Below ground	17.9 in

Sound level

Sound level (LwA) acc. to 2000/14/EC	94 dB(A)
Cabin - specified sound pressure level LpA acc. to ISO 6394	78 dB(A)

EZ53 Dimensions



			VDS
A	Height	101.3 in	105.2 in
B	Width	78.3 in	78.3 in
B	Width - Revolving superstructure	72.6 in	72.6 in
C	Transport length - Standard Dipperstick	216.5 in	216.1 in
C	Transport length - Long Dipperstick	215.6 in	216.4 in
D	Digging depth max. - Standard Dipperstick	137.8 in	133.6 in
D	Digging depth max. - Long Dipperstick	147.7 in	143.5 in
E	Insertion depth - Standard Dipperstick	105 in	100.1 in
E	Insertion depth - Long Dipperstick	114.4 in	109.5 in
F	Insertion height - Standard Dipperstick	208.6 in	212.8 in
F	Insertion height - Long Dipperstick	214.9 in	219.1 in
G	Dump height max. - Standard Dipperstick	144.8 in	149 in
G	Dump height max. - Long Dipperstick	151.1 in	155.2 in
H	Digging radius max. - Standard Dipperstick	235.7 in	236 in
H	Digging radius max. - Long Dipperstick	245.1 in	245.4 in
I	Range - Standard Dipperstick	230.7 in	229.3 in
I	Range - Long Dipperstick	240.3 in	239 in
J	Rear swivel radius - w/o Counterweight	39.2 in	39.2 in
J	Rear swivel radius - with Counterweight	41.5 in	41.5 in

K	Arm displacement to centre of bucket, right side	37.7 in	37.7 in
K	Arm displacement to centre of bucket, left side	33.6 in	33.6 in
L	Lift height - Above ground	16.3 in	16.3 in
M	Scraping depth - Below ground	17.8 in	17.8 in
N	Length - Track	99.4 in	99.4 in
O	Turning angle - Boom system to the right	61 °	61 °
P	Turning angle - Boom system to the left	65 °	65 °
Q	Chain width	15.7 in	15.7 in
R	Boom slewing radius - Middle	106 in	106 in
R	Boom slewing radius - Right	95.7 in	95.7 in
R	Boom slewing radius - Left	90.1 in	90.1 in

Please note: that product availability can vary from country to country. It is possible that information / products may not be available in your country. More detailed information on engine power can be found in the operator's manual; the stated power may vary due to specific operating conditions. Subject to alterations and errors excepted. Applicable also to illustrations.
 Copyright © 2021 Wacker Neuson SE.